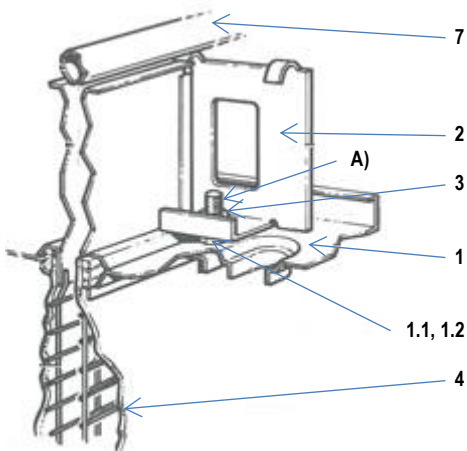
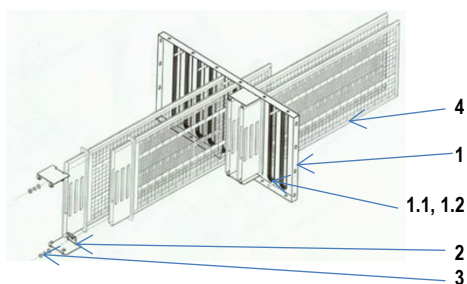


# INSTALLATION OF FILTRATING ELEMENTS IN A NEW FILTER REPLACING THE FILTRATION MEDIUM

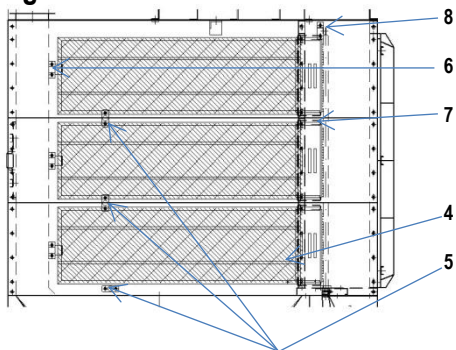
**Fig. 1**



**Fig. 2**



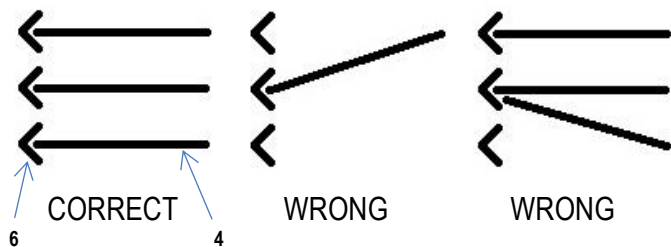
**Fig. 3**



**Legend**

- 1 Slot plate, including:
  - washers with bolt M12 – 1.1
  - low nuts M12 – 1.2
- 2 Clamp plate
- 3 Flat and spring washers, nut M12 (high)
- 4 Filtration element (frame with bag)
- 5 Supporting tube
- 6 Fixation rib
- 7 Jet tube
- 8 Flat and spring washers, nut M10

- In A) there are 1.1 and 1.2 mounted for the purpose of transport. These shall be disassembled so that only the low M12 nut remains on "1".
- Insert and slide down the element "4" to "1" – see Fig. 2. When sliding down, use just a light force; do not swing the element up and down.
- After sliding the element to the deep position with "5", you can lean the element on "5" and slide it further up to the position "6". You can check the position of the element by visual inspection.



- After one line of the elements "4" gets pulled into "1", you can check it and start fixation according to Fig. 2 and Fig. 3. You shall apply the metal sheets "2" and washers with nuts "3"; then you can start tightening the nuts, first in the lower position and then with light force in the upper position; then after you can do it in the upper and lower position alternately; lower position must always be tightened a bit more than the upper position so that the element gets in the horizontal position without lying in the tube "5". The final distance of the element "4" from tube "5" is 15 to 20 mm; sewing joint of the bag lies in the middle of the rib "6".
- After mounting and fixing all the elements "4", you shall proceed to mount the blowing tubes "7". These shall be slid down in between two nuts "8" using an upper fork; then they shall be seated on the seat in the lower position. In the end, you shall tighten the upper nut M10 – Pos. "8".

When replacing the filtration medium, you do the disassembling procedure in the reverse sequence. Re-assembly shall be done as aforementioned.